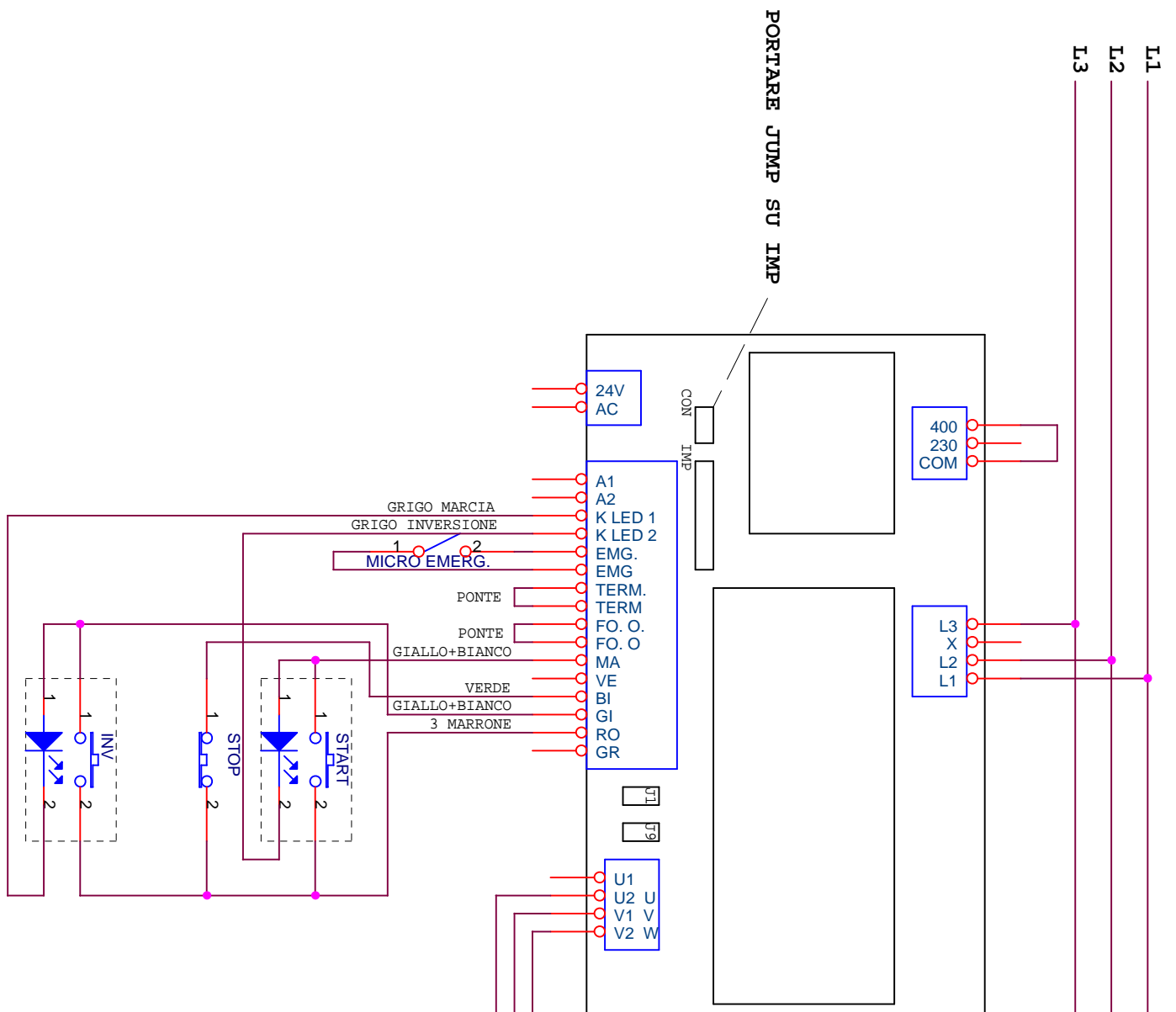
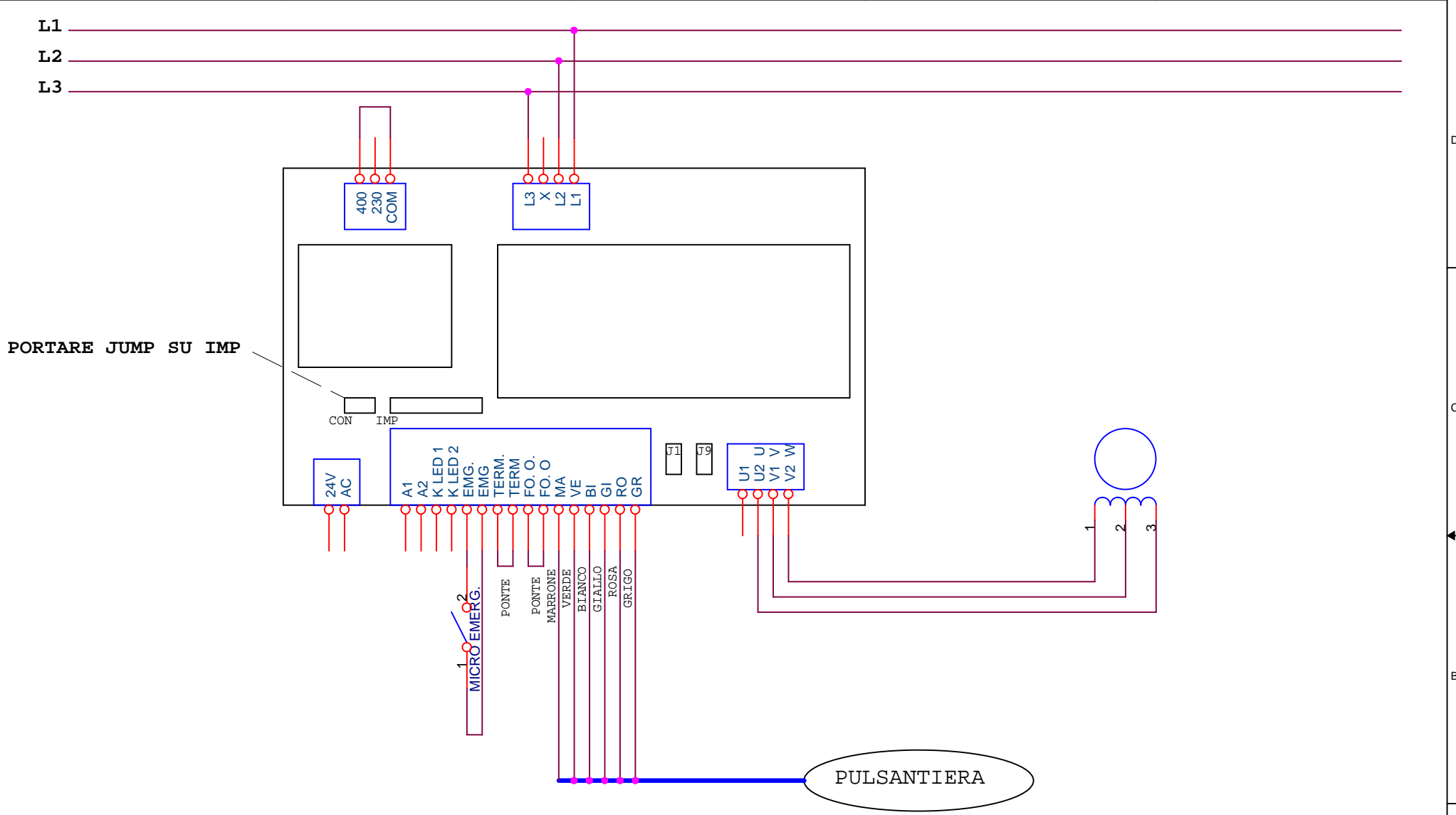


PORTARE JUMP SU IMP

Title		
COLLEGAMENTO SCHEDA INV P. INOX MONO 230-50 R5		
Size	Document Number	Rev
A		
Date:	Sheet	1 of 1
	2	1



Title		COLLEGAMENTO SCHEDA INV. P. INOX TRI 400-50 R5	
Size	Document Number	Rev	
A			
Date:	Sheet	1	of 1



Title		
COLLEGAMENTO SCHEDA INV PULSANTIERA TRI 400-50 R5		
Size	Document Number	Rev
A		
Date:	Sheet	1 of 1
	2	1